

SCL/SCM Control using +24VDC PLC Outputs

The digital inputs on the SCL/SCM terminal strip are active high. Therefore, they can be activated by applying 12 to 24 VDC to them. The SCL/SCM Installation and Operation Manual shows how dry contacts can be used to activate the digital inputs, but does not explain how to use solid state outputs, such as those from a PLC. This document illustrates how to use 12 to 24 VDC to control the SCL/SCM Series drive.

In the example below, a PLC with +24 VDC outputs is shown, and the drive is configured for operation in both FORWARD and REVERSE direction (this requires that TB-13A be programmed for RUN REVERSE; refer to Parameter 10). Connections are also shown for 0-10 VDC or 4-20 mA speed control.

NOTE 1: Refer to the SCL/SCM Installation and Operation Manual for more information on the SCL/SCM Series drive.

NOTE 2: The input impedance of the drive's digital inputs is 6 kilohms. These inputs consist of pulldown resistors to TB-2.

NOTE 3: The PLC outputs must be current-sourcing type.

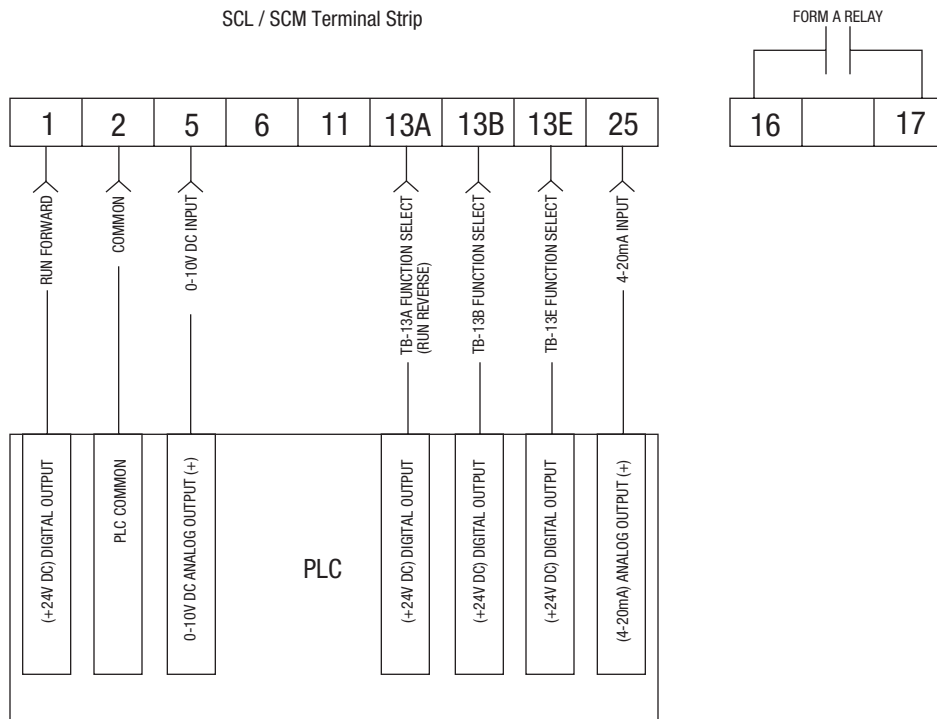


Figure 1: Wiring Diagram