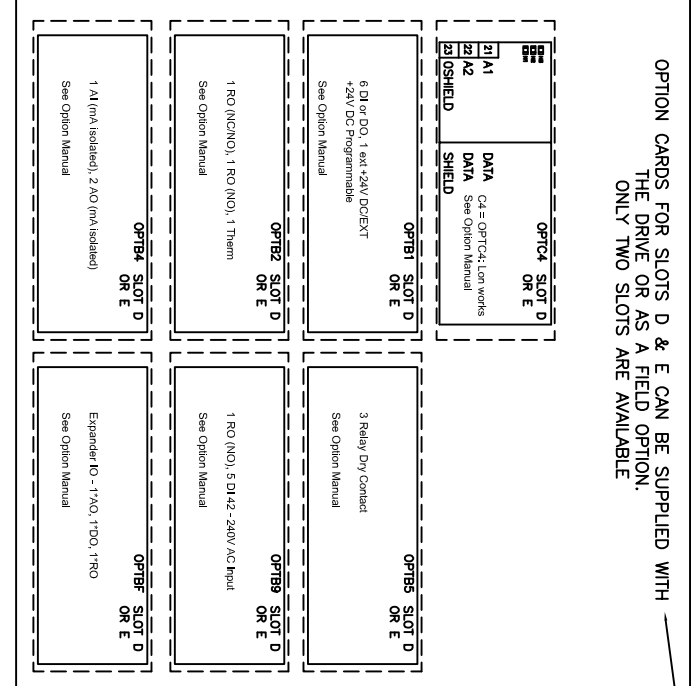
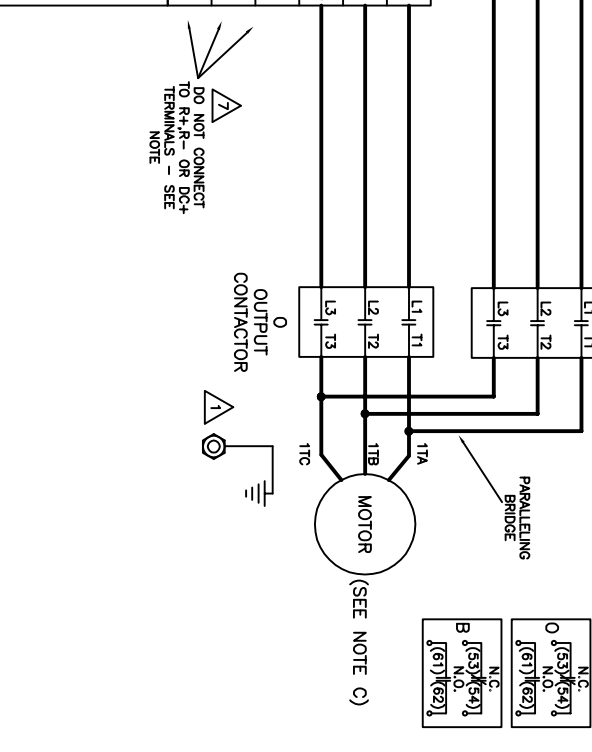
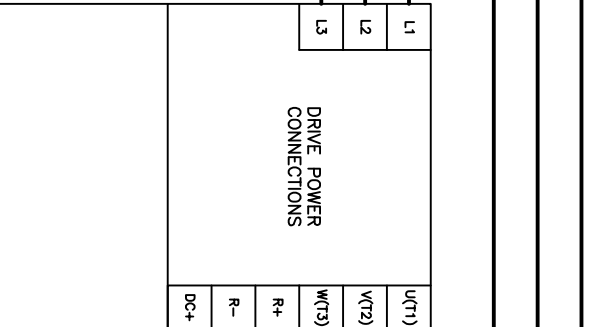
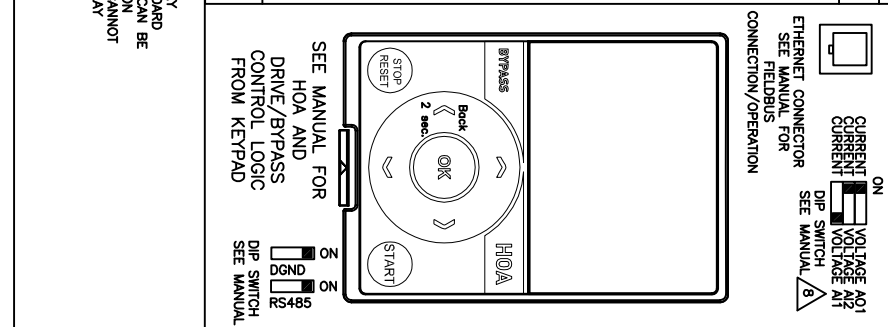


MAIN CONTROL PCB	RELAY BOARD 1 STD. SLOT B	SLOT B HAS RELAY BOARD. USE STANDARD RELAY BOARD 2 CAN BE SUPPLIED AS OPTION L4 PILOT LIGHT CANNOT BE USED WITH RELAY BOARD 2
1 +10V	22 RO1 BYPASS RUN	
2 AI-1+	23 RO2 DRIVE RUN	
3 VIn	24 RO3 DRIVE FAULT	
4 AI-2+	25 RO4 DRIVE FAULT	
5 AI-2-	26 RO5 DRIVE FAULT	
6 24Vout	27 RO6 DRIVE FAULT	
7 GND	28 RO7 DRIVE FAULT	
8 DIN1	29 RO8 DRIVE FAULT	
9 DIN2	30 RO9 DRIVE FAULT	
10 DIN3	31 RO10 DRIVE FAULT	
11 CMA	32 RO11 DRIVE FAULT	
12 24Vout	33 RO12 DRIVE FAULT	
13 GND		
14 DIN4		
15 DIN5		
16 DIN6		
17 CAB		
18 AO-1+		
19 AO-1-		
20 24VIn		
A DATA-		
B DATA+		



NOTE A: INCOMING POWER CONNECTION:
 RUN CABLING IN SEPARATE METAL CONDUIT OR WIRE TRAY. DO NOT RUN WITH CONTROL WIRING OR MOTOR CABLES. CABLES TO BE SIZED PER NEC. PROVIDE LOW IMPEDANCE GROUND CONNECTION TO DRIVE CHASSIS. DO NOT CONNECT TO B+, B- TERMINALS. THESE TERMINALS ARE USED FOR EXTERNAL BRAKING IF REQUIRED.
 NOTE B: I/O CONNECTION:
 RUN 110VAC AND 24VDC CONTROL WIRING IN SEPARATE CONDUIT. COMMUNICATION WIRE TO BE SHIELDED. KEYPAD CABLE MUST BE LESS THEN 20 FEET.
 NOTE C: MOTOR CONNECTION:
 RUN MOTOR CABLES IN SEPARATE METAL CONDUIT OR WIRE TRAY. DO NOT RUN WITH CONTROL WIRING OR POWER CABLES. CABLES TO BE SIZED PER NEC. PROVIDE LOW IMPEDANCE GROUND CONNECTION BETWEEN MOTOR AND DRIVE.

- NOTES:
- ENCLOSURE AND MOTOR(S) MUST BE GROUNDED. SEE INSTRUCTION MANUAL.
 - JUMPER IS FACTORY INSTALLED TO ENABLE START PERMISSIVE. CAN BE REPLACED WITH N/C CONTACT.
 - CLOSE TERMINALS 6 TO 8 OR 8 TO 12 TO START IN AUTO MODE - SEE MANUAL.
 - RELAYS SHOWN IN DE-ENERGIZED STATE.
 - WHEN PSG60F/PSG120F IS SUPPLIED, L3 WILL BE WIRED TO 1L3.
 - ELECTRIC INTERLOCK BY VFD SOFTWARE.
 - DO NOT MAKE ANY CONNECTIONS TO DC+, R+, R-, TERMINALS, THESE TERMINALS ARE USED FOR OPTIONAL DYNAMIC BRAKING.
 - ALTERNATE CONTROL PCB DIP SWITCH CONFIG SHOWN BELOW

ADDED TABS 0010 THRU 0018 AND 1010 THRU 1018. ADDED HEATER TO SCHEMATIC ON 0010 THRU 0018 AND 1010 THRU 1018.

FILE TYPE: AutoCAD
 .DWG FILENAME: 285447.DWG

DR: RAK
 DATE: 01/21/13
 TITLE: HMAX FRAME SIZES 4-7 INTELLIPASS

DWG NO.: 285447-0015
 SHEET: 1 OF 1