

# Pro-Line Rotary Phase Converters

# PL-3

## Quick Specs

See back for complete specs

**Single Phase Input Power:** 208 - 245 Volts

**3 Phase Rated Output:** 208 - 245 Volts

**Minimum Single Phase Circuit:** 10 Amps

**Best Performance Single Motor Start:** 1.5HP

**Recommended 3 Phase Sizing:** 4 Amps

**Voltage Balance:** +/-5-8% (Based on input)

**Professional. Rugged. Affordable.** Pro-Line offers more than a traditional phase converter. Built complete and loaded with features.



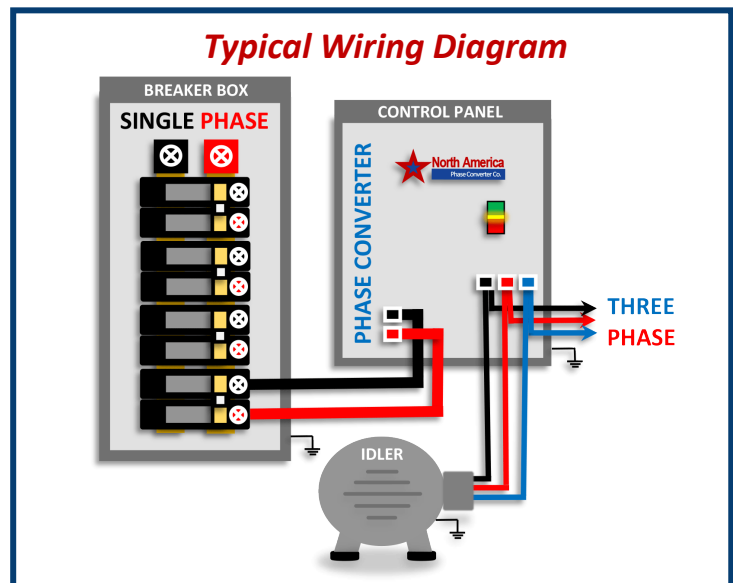
### Control Panel Features

- Integrated Motor Starter with Start/Stop Push Button Switch
- Digitally Controlled & Protected Start Circuit
- Complete Phase Power Failure Protection
- CNC Voltage Balancing
- Power "ON" Indicator Light
- Easy Power Distribution Block Connections
- 10 Year Parts / Lifetime Labor Warranty
- Made In the USA

### Idler Generator Features

- Custom Design Rotary Phase Converter Generators
- Low Impedance/High Efficiency Design
- Custom Copper Windings and Rotor
- Made by ABB / Baldor Electric USA
- Available in ODP and TEFC
- Soft Start Idler Generator
- Shielded Windings
- Sealed Bearing
- Made In the USA

### Typical Wiring Diagram



North America Phase Converter Co.  
2728 South 163rd Street  
New Berlin, WI 53151  
877-545-2926  
NorthAmericaPhaseConverters.com



Model	
Brand	NAPCES
Line	Pro-Line
Model #	PL-3
General Specifications	
Horse Power (HP)	3
Kilo-watt (kW)	2.2
Frequency (Hz)	60
Generator Type	ODP
Enclosure Type	NEMA 1 (Indoor)
Generator Frame	145
Single Phase Electrical Specifications	
Voltage Input	208-245
Minimum Fuse Size	10
Minimum Circuit Breaker Size	10
Maximum Fuse Size	20
Maximum Circuit Breaker Size	20
Minimum Wire Input	12 AWG
Idle Amperage	1.12
Three Phase Electrical Specifications	
Voltage Output	208-245 based on input voltage
Output Amperage	8
Voltage Balance	5 - 8%
Minimum Wire to Generator	12 AWG
Minimum Wire to Load	12 AWG
Dimensions & Weights	
Enclosure (H X W X D)	17" X 12" X 8"
Idler (Approx.) Length X Diameter	10" X 7"
Approx. Total Shipping Weight	71 lbs.

The PL-3 Pro-Line Phase Converter is best sized for:	
<b>Easy / Light Motor Loads - up to 2HP</b>	
<i>Examples of Easy Loads: Table Saw, Milling Machine, Drill Press</i>	
<b>Medium Motor Loads - up to 2HP</b>	
<i>Examples of Medium Loads: Belt Sander, Grinder, Mixer</i>	
<b>Hard Motor Loads - up to 1.5HP</b>	
<i>Examples of Hard Loads: Gearhead Lathe, Dust Collector, Fan</i>	
<b>Very Hard Motor Load - up to 1HP</b>	
<i>Examples of Very Hard Motor Loads: Air Compressor, Sub. Pump</i>	
<b>CNC, Resistive and Inductive Loads - 4 Amps</b>	

### Sizing Notes

PL-3

- For light/easy motor loads:** Size rotary phase converter up one size above motor size
- For medium motor loads:** Size rotary phase converter 1.5 times larger than motor size
- For heavy/hard motor loads:** Size rotary phase converter double the size of motor load
- For very hard motor loads:** Size rotary phase converter 2.5 times larger than the motor load
- For CNC, resistive and inductive loads:** Size rotary phase converter double the size of load

### Available Accessories



Wired and Wireless Remote Switches



Twist-Lock Outlets and Plugs



Floor Mounting Kit