

Quick Specs

See back for complete specs

Single Phase Input Voltage: 208 - 245 Volts

3 Phase Rated Output: 208 - 245 Volts

Minimum Single Phase Circuit: 30 Amps

Best Performance Single Motor Start: 5HP

Recommended 3 Phase Sizing: 14 Amps

Voltage Balance: Based on input +/-5-10%

Professional. Powerful. Affordable. Boost Phase offers more than you would expect from a phase converter. Unparalleled starting power for the toughest starting applications.



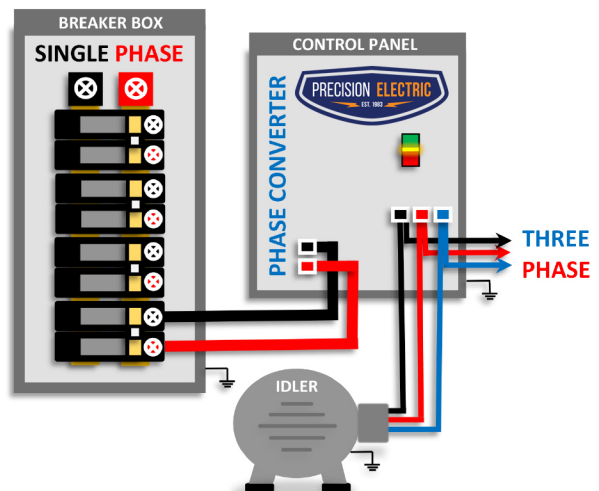
Control Panel Features

- 600% Motor Starting Boost Current
- Built-In Motor Starter with Start/ Stop Push Button Switch
- Digitally Controlled with Solid State Switches
- Complete Phase Power Failure Protection
- Power "ON" Indicator Light
- Voltage Differential Technology
- 10 Year Parts / Lifetime Labor Warranty
- Made In the USA

Idler Generator Features

- Custom Designed Rotary Generators
- Low Impedance/High Efficiency Design
- Custom Copper Windings and Rotor
- Made by ABB / Baldor Electric USA
- Available in ODP and TEFC
- Shielded Windings
- Made In the USA

Typical Wiring Diagram



PRECISION ELECTRIC, INC.
1508 W 6TH STREET MISHAWAKA, IN
574-256-1000
PRECISION-ELEC.COM

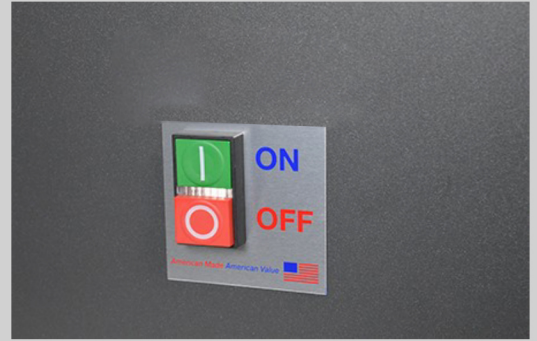


Model	
Brand	Precision Electric
Line	Boost Phase
Model #	PB1000
General Specifications	
Horse Power (HP)	10
Kilo-watt (kW)	7.5
Frequency (Hz)	60
Generator Type	ODP
Enclosure Type	NEMA 1 (Indoor)
Generator Frame	215
Single Phase Electrical Specifications	
Voltage Input	208-245
Minimum Fuse Size	30
Minimum Circuit Breaker Size	30
Maximum Fuse Size	50
Maximum Circuit Breaker Size	50
Minimum Wire Input	6 AWG
Idle Amperage	3.24
Three Phase Electrical Specifications	
Voltage Output	208-245 based on input voltage
Output Amperage	28
Voltage Balance	10%
Minimum Wire to Generator	10 AWG
Minimum Wire to Load	10 AWG or based on load
Dimensions & Weights	
Enclosure (H X W X D)	18" X 18" X 8"
Idler (Approx.) Length X Diameter	13.5" X 9.5"
Approx. Total Shipping Weight	126 lbs.

The PB1000 BOOST PHASE Converter is best sized for:	
Easy / Light Motor Loads - up to 7.5HP	
<i>Examples of Easy Loads: Table Saw, Milling Machine, Drill Press</i>	
Medium Motor Loads - up to 6HP	
<i>Examples of Medium Loads: Belt Sander, Grinder, Mixer</i>	
Hard Motor Loads - up to 5HP	
<i>Examples of Hard Loads: Gearhead Lathe, Dust Collector, Fan</i>	
Very Hard Motor Load - up to 5HP	
<i>Examples of Very Hard Motor Loads: Air Compressor, Sub. Pump</i>	
CNC, Resistive and Inductive Loads - up to 14 Amps @240 volts	

Sizing Notes PB1000

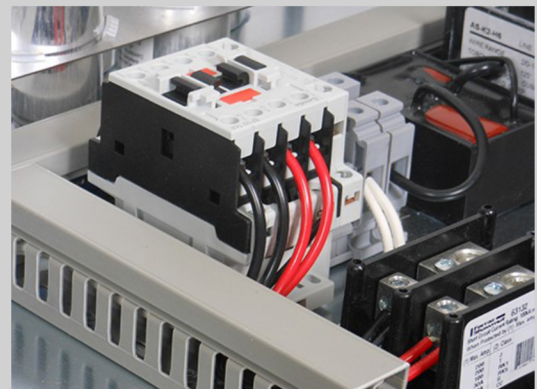
- For light/easy motor loads:** Size rotary phase converter 1.25 times larger than the motor load
- For medium motor loads:** Size rotary phase converter 1.5 times larger than the motor load
- For heavy/hard motor loads:** Size rotary phase converter double the size of motor load
- For very hard motor loads:** Size rotary phase converter double the size of motor load
- For CNC, resistive and inductive loads:** Consider *Smart-Phase™* Rotary Phase Converters



Built-In Motor Starter with Start / Stop Switch



Solid State Controller with Zero Degree Power Switches (Thyristors)



Complete 3 Phase Power Guard Protection

