

Quick Specs

See back for complete specs

Single Phase Input Voltage: 208 - 245 Volts

3 Phase Rated Output: 208 - 245 Volts

Minimum Single Phase Circuit: 10 Amps

Best Performance Single Motor Start: 1.5HP

Recommended 3 Phase Sizing: 4 Amps

Voltage Balance: Based on input +/-5-10%

Professional. Powerful. Affordable. Boost Phase offers more than you would expect from a phase converter. Unparalleled starting power for the toughest starting applications.



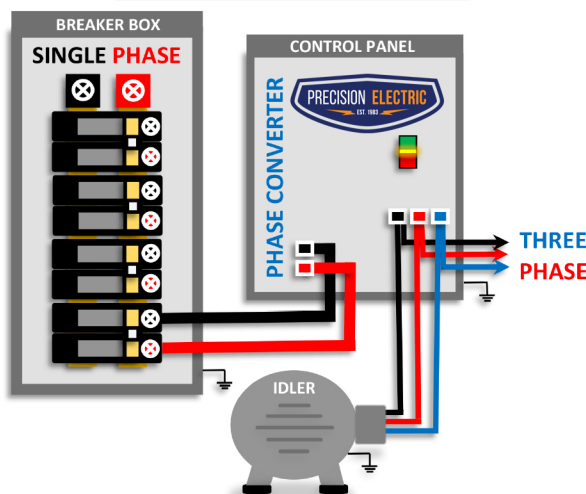
Control Panel Features

- 600% Motor Starting Boost Current
- Built-In Motor Starter with Start/Stop Push Button Switch
- Digitally Controlled with Solid State Switches (SCR)
- Complete Phase Power Failure Protection
- Power "ON" Indicator Light
- Voltage Differential Technology
- 10 Year Parts / Lifetime Labor Warranty
- Made In the USA

Idler Generator Features

- Custom Made Rotary Phase Converter Generators
- Low Impedance/High Efficiency Design
- Custom Copper Windings and Rotor
- Made by ABB/Baldor Electric USA
- Available in ODP and TEFC
- Shielded Windings
- Made In the USA

Typical Wiring Diagram



Model	
Brand	Precision Electric
Line	Boost Phase
Model #	PB300
General Specifications	
Horse Power (HP)	3
Kilo-watt (kW)	2.2
Frequency (Hz)	60
Generator Type	ODP
Enclosure Type	NEMA 1 (Indoor)
Generator Frame	145
Single Phase Electrical Specifications	
Voltage Input	208-245
Minimum Fuse Size	10
Minimum Circuit Breaker Size	10
Maximum Fuse Size	20
Maximum Circuit Breaker Size	20
Minimum Wire Input	10 AWG
Idle Amperage	1.03
Three Phase Electrical Specifications	
Voltage Output	208-245 based on input voltage
Output Amperage	8
Voltage Balance	5-10%
Minimum Wire to Generator	12 AWG
Minimum Wire to Load	12 AWG or based on load
Dimensions & Weights	
Enclosure (H X W X D)	18" X 12" X 8"
Idler (Approx.) Length X Diameter	10" X 6.5"
Approx. Total Shipping Weight	79 lbs.

The PB300 BOOST PHASE Converter is best sized for:
Easy / Light Motor Loads - up to 2HP
<i>Examples of Easy Loads: Table Saw, Milling Machine ,Drill Press</i>
Medium Motor Loads - up to 2HP
<i>Examples of Medium Loads: Belt Sander, Grinder, Mixer</i>
Hard Motor Loads - up to 1.5HP
<i>Examples of Hard Loads: Gearhead Lathe, Dust Collector , Fan</i>
Very Hard Motor Load - up to 1.5HP
<i>Examples of Very Hard Motor Loads: Air Compressor, Sub. Pump</i>
CNC, Resistive and Inductive Loads - N/A

Sizing Notes

PB300

For light/easy motor loads: Size rotary phase converter 1.25 times larger than the motor load

For medium motor loads: Size rotary phase converter 1.5 times larger than the motor load

For heavy/hard motor loads: Size rotary phase converter double the size of motor load

For very hard motor loads: Size rotary phase converter double the size of motor load

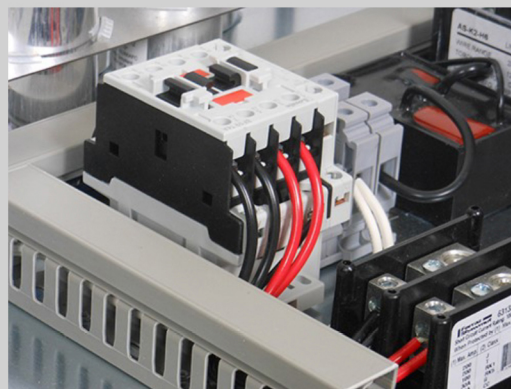
For CNC, resistive and inductive loads: Consider *Pro-Line* or *Smart-Phase™* Rotary Phase Converters



Built-In Motor Starter with Start / Stop Switch



Solid State Controller with Zero Degree Power Switches (Thyristors)



Complete 3 Phase Power Guard Protection

