

Quick Specs

See back for complete specs

Single Phase Input Voltage: 208 - 245 Volts

3 Phase Rated Output: 208 - 245 Volts

Minimum Single Phase Circuit: 80 Amps

Best Performance Single Motor Start: 15HP

Recommended 3 Phase Sizing: 37 Amps

Voltage Balance: Based on input +/-5-10%

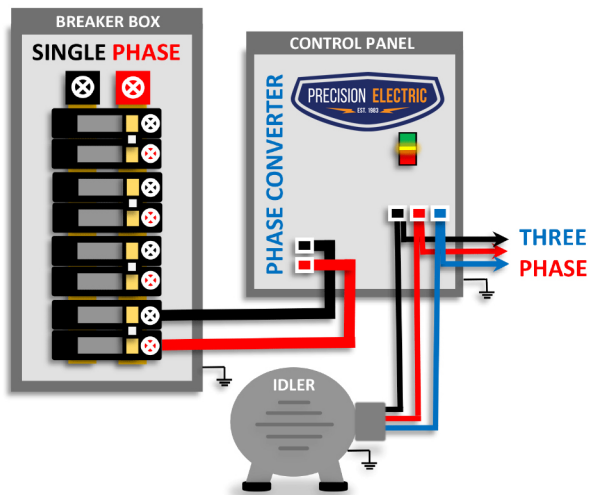
Professional. Powerful. Affordable. Boost Phase offers more than you would expect from a phase converter. Unparalleled starting power for the toughest starting applications.

Control Panel Features

- 600% Motor Starting Boost Current
- Built-In Motor Starter with Start/Stop Push Button Switch
- Digitally Controlled with Solid State Switches
- Complete Phase Power Failure Protection
- Power "ON" Indicator Light
- Voltage Differential Technology
- 10 Year Parts / Lifetime Labor Warranty
- Made In the USA



Typical Wiring Diagram



Idler Generator Features

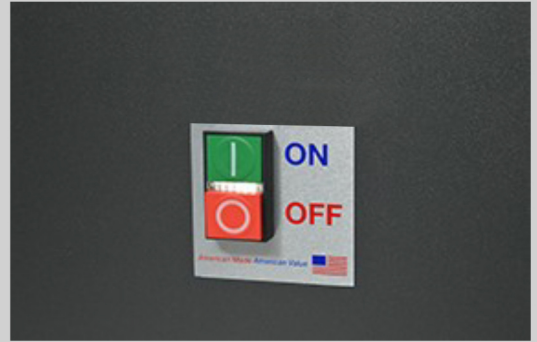
- Custom Made Rotary Phase Converter Generators
- Low Impedance/High Efficiency Design
- Custom Copper Windings and Rotor
- Made by ABB / Baldor Electric USA
- Available in ODP and TEFC
- Shielded Windings
- Made In the USA



PRECISION ELECTRIC, INC.
1508 W 6TH STREET MISHAWAKA, IN
574-256-1000
PRECISION-ELEC.COM



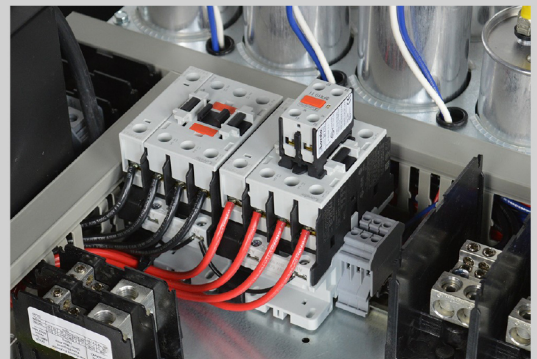
Model	
Brand	Precision Electric
Line	Boost Phase
Model #	PB3000
General Specifications	
Horse Power (HP)	30
Kilo-watt (kW)	21.4
Frequency (Hz)	60
Generator Type	ODP
Enclosure Type	NEMA 1 (Indoor)
Generator Frame	284
Single Phase Electrical Specifications	
Voltage Input	208-245
Minimum Fuse Size	80
Minimum Circuit Breaker Size	80
Maximum Fuse Size	150
Maximum Circuit Breaker Size	150
Minimum Wire Input	2/0 AWG
Idle Amperage	9.54
Three Phase Electrical Specifications	
Voltage Output	208-245 based on input voltage
Output Amperage	80
Voltage Balance	5-10%
Minimum Wire to Generator	2 AWG
Minimum Wire to Load	2 AWG or based on load
Dimensions & Weights	
Enclosure (H X W X D)	24" X 18" X 8"
Idler (Approx.) Length X Diameter	17.5" X 11.5"
Approx. Total Shipping Weight	284 lbs. (ODP)



Built-In Motor Starter with Start / Stop Switch



Oversized Power Distribution Blocks for Easy Installation



Complete 3 Phase Power Guard Protection

The PB3000 BOOST PHASE Converter is best sized for:

Easy / Light Motor Loads - up to 25 HP

Examples of Easy Loads: Table Saw, Milling Machine, Drill Press

Medium Motor Loads - up to 20 HP

Examples of Medium Loads: Belt Sander, Grinder, Mixer

Hard Motor Loads - up to 15 HP

Examples of Hard Loads: Gearhead Lathe, Dust Collector, Fan

Very Hard Motor Load - up to 15 HP

Examples of Very Hard Motor Loads: Air Compressor, Sub. Pump

CNC, Resistive and Inductive Loads - 37 Amps @240 Volts

Sizing Notes

PB3000

For light/easy motor loads: Size rotary phase converter 1.25 times larger than the motor load

For medium motor loads: Size rotary phase converter 1.5 times larger than the motor load

For heavy/hard motor loads: Size rotary phase converter double the size of motor load

For very hard motor loads: Size rotary phase converter double the size of motor load

For CNC, resistive and inductive loads: Recommend *Pro-Line* or *Smart-Phase™*

