

## Quick Specs

See back for complete specs

**Single Phase Input:** 208 - 245 Volts

**3 Phase Rated Output:** 208 - 245 Volts

**Minimum Single Phase Circuit:** 125 Amps

**Best Performance Single Motor Start:** 25HP

**Recommended 3 Phase Sizing:** 62 Amps

**Voltage Balance:** +/-5-10% (Based on input)

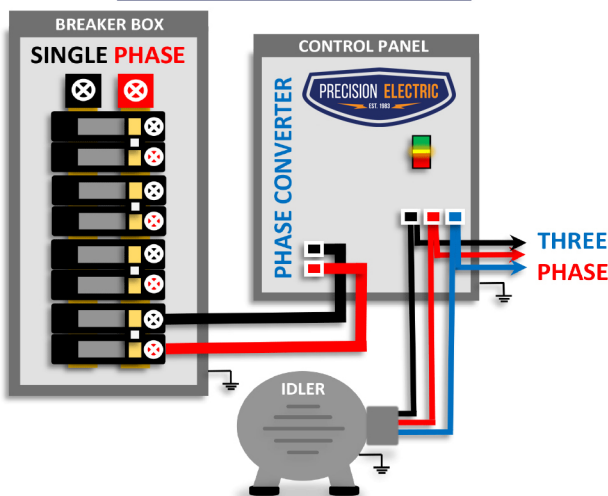
**Professional. Powerful. Affordable.** Boost Phase offers much more than you would expect from a phase converter. Unparalleled starting power for the toughest starting applications.

### Control Panel Features

- 600% Motor Starting Boost Current
- Built-In Motor Starter with Start/ Stop Push Button Switch
- Digitally Controlled with Solid State Switching
- Complete Phase Power Failure Protection
- Power "ON" Indicator Light
- Voltage Differential Technology
- 10 Year Parts / Lifetime Labor Warranty
- Made In the USA



### Typical Wiring Diagram



### Idler Generator Features

- Custom Made Rotary Phase Converter Generators
- Low Impedance/High Efficiency Design
- Custom Copper Windings and Rotor
- Made by ABB / Baldor Electric USA
- Available in ODP and TEFC
- Shielded Windings
- Made In the USA



PRECISION ELECTRIC, INC.  
1508 W 6TH STREET MISHAWAKA, IN  
574-256-1000  
PRECISION-ELEC.COM



Model	
Brand	Precision Electric
Line	Boost Phase
Model #	PB5000
General Specifications	
Horse Power (HP)	50
Kilo-watt (kW)	37.3
Frequency (Hz)	60
Generator Type	ODP
Enclosure Type	NEMA 1 (Indoor)
Generator Frame	324
Single Phase Electrical Specifications	
Voltage Input	208-245
Minimum Fuse Size	125
Minimum Circuit Breaker Size	125
Maximum Fuse Size	250
Maximum Circuit Breaker Size	250
Minimum Wire Input	300 MCM or 125% or circuit size
Idle Amperage	15.44
Three Phase Electrical Specifications	
Voltage Output	208-245 based on input voltage
Output Amperage	120
Voltage Balance	5-10%
Minimum Wire to Generator	2/0 AWG
Minimum Wire to Load	2/0 AWG or based on load
Dimensions & Weights	
Enclosure (H X W X D)	28" X 18" X 24"
Idler (Approx.) Length X Diameter	21.5" X 13.25"
Approx. Total Shipping Weight	425 lbs.

<b>The PB5000 BOOST PHASE Converter is best sized for:</b>
<b>Easy / Light Motor Loads - up to 40 HP</b>
<i>Examples of Easy Loads: Table Saw, Milling Machine, Drill Press</i>
<b>Medium Motor Loads - up to 30 HP</b>
<i>Examples of Medium Loads: Belt Sander, Grinder, Mixer</i>
<b>Hard Motor Loads - up to 25 HP</b>
<i>Examples of Hard Loads: Gearhead Lathe, Dust Collector, Fan</i>
<b>Very Hard Motor Load - up to 25 HP</b>
<i>Examples of Very Hard Motor Loads: Air Compressor, Sub. Pump</i>
<b>CNC, Resistive and Inductive Loads - 62 Amps @240 Volts</b>

## Sizing Notes PB5000

**For light/easy motor loads:** Size rotary phase converter 1.25 times larger than the motor load

**For medium motor loads:** Size rotary phase converter 1.5 times larger than the motor load

**For heavy/hard motor loads:** Size rotary phase converter double the size of motor load

**For very hard motor loads:** Size rotary phase converter double the size of motor load

**For CNC, resistive and inductive loads:** Recommend *Pro-Line* or *Smart-Phase™*

## Available Accessories



Wired and Wireless Remote Switches



Twist-Lock Outlets and Plugs



Rubber Isolation Mounting Feet

