

Quick Specs

See back for complete specs

Single Phase Input : 208 - 245 Volts

3 Phase Rated Output: 208 - 245 Volts

Minimum Single Phase Circuit: 150 Amps

Best Performance Single Motor Start: 30HP

Recommended 3 Phase Sizing: 72 Amps

Voltage Balance: Based on input +/-5-10%

Professional. Powerful. Affordable. Boost Phase offers more than you would expect from a phase converter. Unparalleled starting power for the toughest starting applications.

Control Panel Features

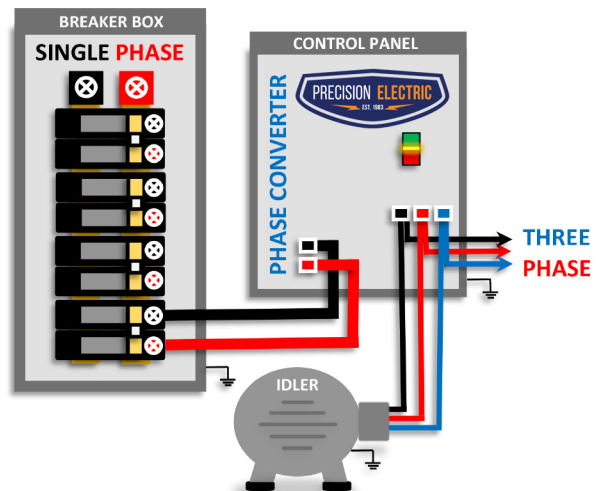
- 600% Motor Starting Boost Current
- Built-In Motor Starter with Start/ Stop Push Button Switch
- Digitally Controlled with Solid State Switches
- Complete Phase Power Failure Protection
- Power "ON" Indicator Light
- Voltage Differential Technology
- 10 Year Parts / Lifetime Labor Warranty
- Made In the USA



Idler Generator Features

- Custom Made Rotary Phase Converter Generators
- Low Impedance/High Efficiency Design
- Custom Copper Windings and Rotor
- Made by ABB / Baldor Electric USA
- Available in ODP and TEFC
- Shielded Windings
- Made In the USA

Typical Wiring Diagram



Model	
Brand	Precision Electric
Line	Boost Phase
Model #	PB6000
General Specifications	
Horse Power (HP)	60
Kilo-watt (kW)	44.7
Frequency (Hz)	60
Generator Type	ODP
Enclosure Type	NEMA 1 (Indoor)
Generator Frame	364
Single Phase Electrical Specifications	
Voltage Input	208-245
Minimum Fuse Size	150
Minimum Circuit Breaker Size	150
Maximum Fuse Size	300
Maximum Circuit Breaker Size	300
Minimum Wire Input	3/0 AWG
Idle Amperage	18.57
Three Phase Electrical Specifications	
Voltage Output	208-245 based on input voltage
Output Amperage	149
Voltage Balance	5-10%
Minimum Wire to Generator	3/0 AWG
Minimum Wire to Load	3/0 AWG or based on load
Dimensions & Weights	
Enclosure (H X W X D)	30" X 24" X 32"
Idler (Approx.) Length X Diameter	22.5" X 15.25"
Approx. Total Shipping Weight	455 lbs.

The PB6000 BOOST PHASE Converter is best sized for:	
Easy / Light Motor Loads - up to 50 HP	
<i>Examples of Easy Loads: Table Saw, Milling Machine, Drill Press</i>	
Medium Motor Loads - up to 40 HP	
<i>Examples of Medium Loads: Belt Sander, Grinder, Mixer</i>	
Hard Motor Loads - up to 30 HP	
<i>Examples of Hard Loads: Gearhead Lathe, Dust Collector, Fan</i>	
Very Hard Motor Load - up to 30 HP	
<i>Examples of Very Hard Motor Loads: Air Compressor, Sub. Pump</i>	
CNC, Resistive and Inductive Loads - 72 Amps @240 Volts	

Sizing Notes PB6000

- For light/easy motor loads:** Size rotary phase converter 1.25 times larger than the motor load
- For medium motor loads:** Size rotary phase converter 1.5 times larger than the motor load
- For heavy/hard motor loads:** Size rotary phase converter double the size of motor load
- For very hard motor loads:** Size rotary phase converter double the size of motor load
- For CNC, resistive and inductive loads:** Recommend *Pro-Line* or *Smart-Phase™*

Available Accessories



Wired and Wireless Remote Switches



Twist-Lock Outlets and Plugs



Rubber Isolation Mounting Feet

